

# total gym<sup>®</sup> ACHIEVER

## Owner's Manual

*For maximum effectiveness and safety,  
please read this owner's manual and  
view the video before using your  
Total Gym Achiever.*



# Table of Contents

<b>EQUIPMENT WARNING / CAUTION LABELS .....</b>	<b>3</b>
<b>SAFETY INSTRUCTIONS.....</b>	<b>3</b>
<b>PRODUCT SPECIFICATIONS .....</b>	<b>4</b>
<b>SET UP .....</b>	<b>5-6</b>
<b>ACCESSORIES: HOW TO'S .....</b>	<b>7-9</b>
Multi Function Attachment.....	7-8
Leg Pulley.....	9
<b>STARTING OUT .....</b>	<b>10</b>
<b>INSPECTION, MAINTENANCE &amp; STORAGE .....</b>	<b>11-12</b>
<b>PARTS OVERVIEW &amp; LIST .....</b>	<b>13</b>

# Congratulations on purchasing your new Total Gym®

With this product in your home, you have everything you need to start your own workout program, to tone and strengthen the important muscle groups of your upper and lower body. This is vital for all of us, regardless of age, sex, or fitness level, and regardless of whether your primary goal is body sculpting, weight loss, health maintenance, or more energy for daily activities.

Strength training not only tones and conditions the muscles we use every day to stand, walk, lift, and turn; it can actually transform our body composition. By reducing body fat and increasing the proportion of lean muscle in our bodies, strength training can effectively turn up our metabolic thermostat, so that we burn calories all the time, no matter what we're doing.

It's easy - all you have to do is spend 15 to 20 minutes a day, 3 to 4 days per week on your Total Gym® to start realizing the benefits.

Be sure to read through this Owner's Manual carefully. **It is the authoritative source of information about your Total Gym®.**

## CUSTOMER SERVICE QUESTIONS

If you have questions about your Total Gym®, please call Customer Service at 1-800-303-7896, Monday through Friday, 8:30 am to 5:00 pm, EST.

## ORDERING REPLACEMENT PARTS

When ordering parts, please contact our Parts Department, toll free at 1-800-303-7896, Monday through Friday, 8:30 am to 5:00 pm, EST.

**IMPORTANT:** You must have your serial number and this manual ready when calling for parts.

Serial #: \_\_\_\_\_

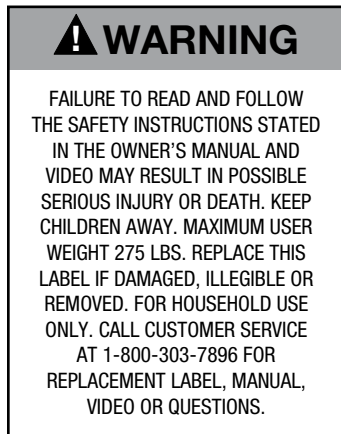
### PLEASE ALSO PROVIDE THE FOLLOWING INFORMATION:

1. Name, Mailing Address and Telephone Number
2. Date of Purchase
3. Where Product was Purchased (Name of Retail Store, City)
4. Model Number
5. Part Order Number and Description

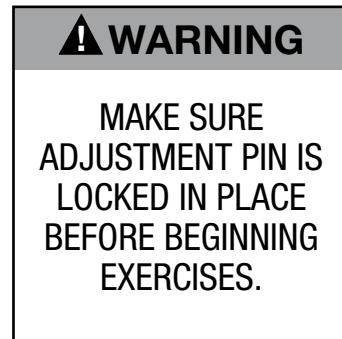
# Equipment Warning / Caution Labels

See page 4 for placement of the following warning/caution labels on your unit.

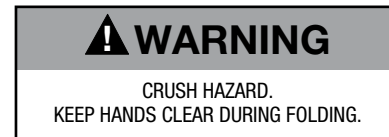
WARNING LABEL 1



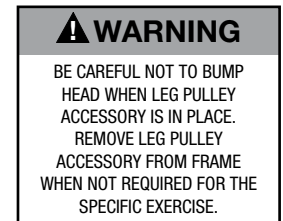
WARNING LABEL 2



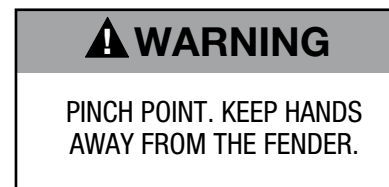
WARNING LABEL 3



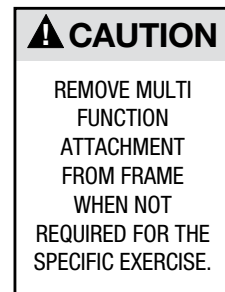
WARNING LABEL 4



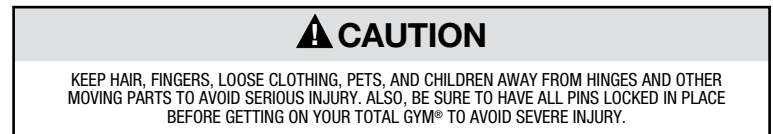
WARNING LABEL 5



CAUTION LABEL 1



CAUTION LABEL 2



## Safety Instructions

**Before beginning this or any exercise program, consult a physician or health professional,** who can assist you in planning a program appropriate for your age and physical condition. This is especially important if you are over age 35 or have pre-existing health problems.

**Do not overexert yourself.** Stop exercising immediately and consult your doctor if you experience pain or tightness in your chest, irregular heart beat, shortness of breath, or if you feel faint, nauseous, or dizzy.

**This product is designed for home use only.** It is not intended for commercial or institutional use. Use only as instructed.

**Do not stand on the product.**

**The Total Gym® is not intended for use by children.** Keep this and all fitness equipment out of the reach of children.

**Keep fingers, loose clothing, and hair away from moving parts.**

**Inspect your exerciser before each use to ensure proper operation.** Do not use this equipment unless all moving parts, including cables and pulleys are working properly. See pages 11 & 12 for details on Inspection, Maintenance and Storage.

**The exerciser should only be used on a mat or carpeted surface to prevent unexpected movement of the unit.**

**Use only the accessory items recommended by the manufacturer.**

**To avoid serious injury,** care should be taken at all times when **getting on and off** this or any exercise equipment.

**Be sure Safety Hitch C Pin** is engaged each time unit is in use.



# Set Up

Includes the following for easy set up:

- **Safety Hitch C Pin** located at the bottom of the Vertical Column, which must be removed prior to unfolding.
- **One (1) Spring-Loaded Pin** locked into the base of the left rail by the height adjustment tube. Left side is determined by standing behind the unit facing the Vertical Column.

**IMPORTANT:** To prevent injury, be sure the Spring-Loaded Pin is locked securely into place in the left rail before using unit. This will prevent the Height Adjustment Column from falling forward.

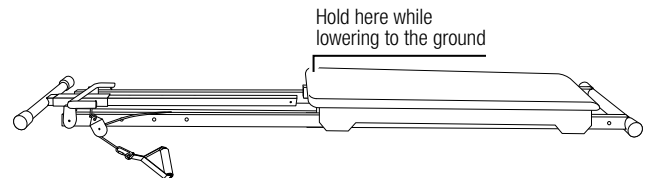
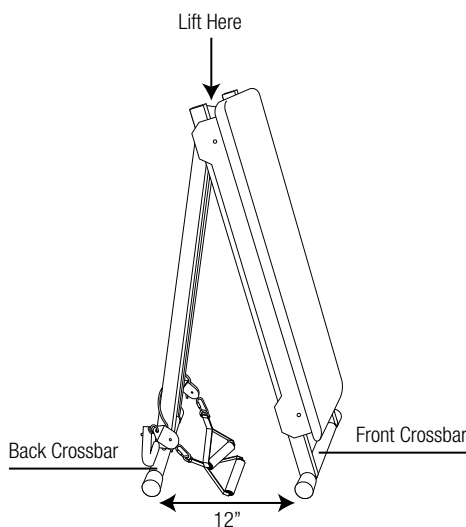
- **One Large Hitch Pin** for Leg Pulley Bracket is located in the Leg Pulley Accessory Kit as well as **two Large Hitch Pins** for the Multi Function Attachment

**IMPORTANT:** Before using the Multi Function Attachment or Leg Pulley Accessory be sure the Hitch Pins are securely inserted (see page 7 - 9 of this manual for directions).

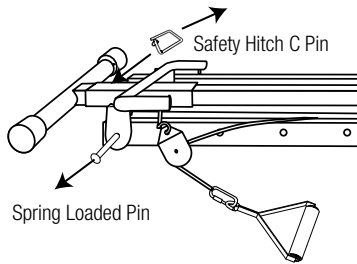
- **Height Adjustment C Pin** located on lanyard.
- **Stopper**

1. Pull the product out of the shipping box. Remove all packaging materials, including tape and cardboard inserts, from your unit.
2. Lay product on the floor with glideboard side up. Make sure you have plenty of space on both ends of the product. Slide the glideboard as far as it will go towards the Front Crossbar before you begin lifting unit.
3. Lift the exerciser up by holding it at the top of the rails. Using your foot, slowly spread the unit open at the bottom approximately 12 inches so that it rests firmly on the Front and Back Crossbars not allowing it to go too far.

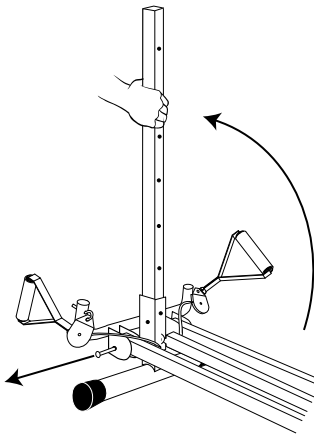
4. Make sure the handles are out to the sides before you begin to unfold your unit. Keep hands and fingers away from pulley. Hold onto the top center of glideboard and begin rolling rear rollers. Spread the unit out until it is flat on the floor. **Be careful to do this slowly. Be sure to support the frame in the center to avoid having the product drop suddenly onto the floor or pinch fingers.**



5. **A.** Remove Safety Hitch C Pin from bottom of Vertical Column. Remove plastic packing ties from the top and bottom of the Vertical Column. Pull out the Spring-Loaded Pin Knob located at the left rail (**NOTE:** pin shown in picture is on right side) to release Spring-Loaded Pin. Continue to hold pin out while performing the next step.

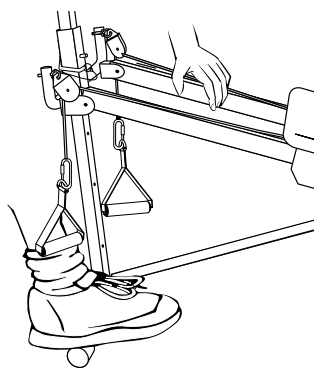


- B.** Take hold of the Vertical Column and pull it up until it is upright. Release the Spring Loaded Pin. You should hear it lock back into place. (**NOTE:** pin shown in picture is on right side.)

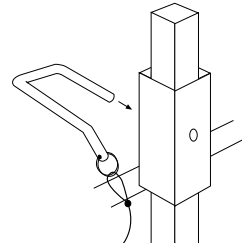


**IMPORTANT:** Be sure the Spring Loaded Pin is locked into place before using your unit. You will know the pin is locked into place when you can see the end protrude through the inside of the rail bracket.

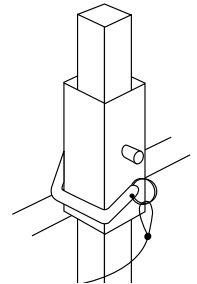
6. **A.** Position one foot on Back Crossbar to keep the product from lifting off the floor. With one hand on either the right or left rail and the other hand holding the Height Adjustment C Pin, slide the rails up along the Height Adjustment Column. Line up the hole to the first (lowest) position on the Height Adjustment Column.



- B.** Insert Height Adjustment C Pin from the back as shown.



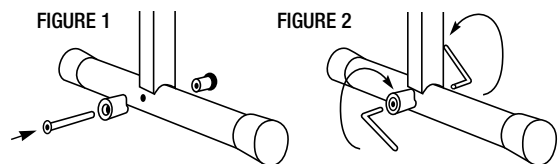
7. Push the pin down into its locked position (it should lay flat against the Height Adjustment Column). Never sit on or exercise on the unit without the Height Adjustment C Pin securely locked into place.



**NOTE:** Insert Safety Hitch C Pin in the side hole located at the bottom of the Vertical Column. This is the pin you removed in step 5A.

## 8. STOPPER ASSEMBLY

If the Stopper at the bottom of the Vertical Column has not already been installed, please do so now. Locate the Stopper which is packed in Miscellaneous Accessories (See Product Specifications on page 4 of this manual). Unscrew nut on the end of the Stopper and remove. Insert the Stopper into the hole located in the center of the Back Crossbar (See Figure 1). Screw the nut back onto the Stopper and tighten with Allen Wrenches provided (See Figure 2).



**IMPORTANT:** Proper installation of the Stopper is necessary for the Rollers to function easily when the unit is folded and rolled into place for storage.

# How to Attach the Multi Function Attachment

The Multi Function Attachment provided with your unit has been uniquely designed to serve several purposes. It can be placed at the top or bottom of the exerciser and angled toward you or away from you depending upon what is comfortable for you.

Two thick Foam Pads are provided with the Multi Function Attachment. They must be attached to the Attachment (if not already) before exercising. To do this:

1. Simply wet each crossbar with soapy water.
2. Then attach Foam Pads on the Crossbars as shown in Figure 1 on page 8. Let dry before beginning to exercise with the Multi Function Attachment.

Below are instructions on how to position the Multi Function Attachment in accordance with the exercises you wish to do.

**NOTE:** Hitch Pins are included in Miscellaneous Parts. The Multi Function Attachment can be placed at the top or bottom depending on the exercise. Always keep the Foam Pads to the outside of the Rails.

## PULL UPS AND CHIN UPS

1. Locate the holes at the top of the Right and Left Rails.
2. With the Multi Function Attachment angled **toward** the Glideboard, line up the Brackets on the Attachment with the desired position holes on the Rails.
3. Insert the 2 Large Hitch Pins through the holes on the Multi Function Attachment Brackets and the hole on the Rails, as shown in Figure 2 on page 8.
4. You are now ready to perform Pull Up and Chin Up exercises to work the arms, lats and back. See your Exercise Guide for specific exercises.

## SQUATS

1. Locate the holes at the bottom of the Right and Left Rails.
2. With the Multi Function Attachment angled **away from** the Glideboard, line up the Brackets on the Attachment with the holes on the Rails.
3. Insert the 2 Large Hitch Pins through the holes on the Multi Function Attachment Brackets and the hole on the Rails, as shown in Figure 5 on page 8.
4. You are now ready to perform the Squat which works the thighs and calves. See your Exercise Booklet for specific exercises.

**NOTE: When performing the Squat exercises, be sure to position your hands on the side of the Glideboard, NOT along the bottom of the Glideboard in order to avoid pinched fingers**



## LEG PULL: CRUNCHES, LEGS AND SIT UPS

1. Locate the holes at the top of the Right and Left Rails.
2. With the Multi Function Attachment angled **away from** the Glideboard, line up the Brackets on the Attachment with the desired position holes on the Rails.
3. Insert the 2 Large Hitch Pins through the holes on the Multi Function Attachment Brackets and the hole on the Rails, as shown in Figure 3.
4. You are now ready to perform Leg Pulls, Crunches and Sit Up exercises to work the abdominals, waist and legs. See your *Exercise Booklet* for specific exercises.

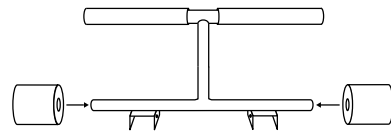


FIGURE 1

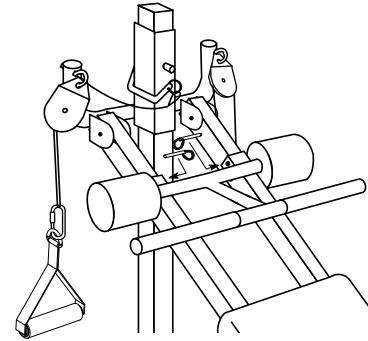


FIGURE 2

## FRONT PRESS

1. Locate the holes at the bottom of the Right and Left Rails near the Front Crossbar.
2. With the Multi Function Attachment **toward** the Glideboard, line up the Brackets on the Attachment with the holes on the Rails.
3. Insert the 2 Large Hitch Pins through the holes on the Multi Function Attachment Brackets and the hole on the Rails, as shown in Figure 4.
4. You are now ready to perform the Front Press exercise which works the upper chest and triceps. See your *Exercise Booklet* for specific exercises.

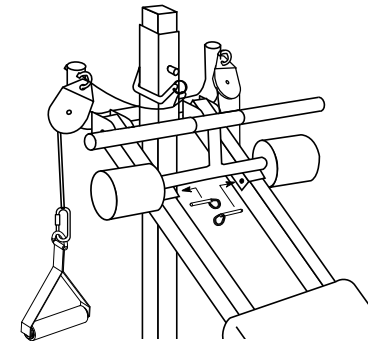


FIGURE 3

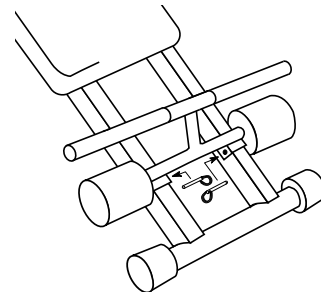


FIGURE 4

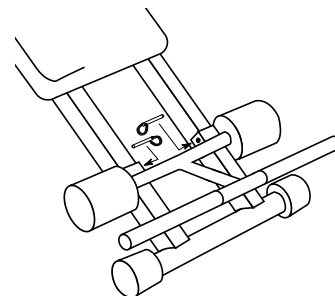
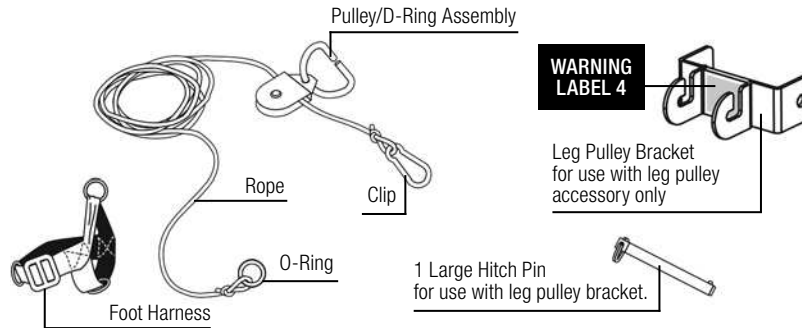


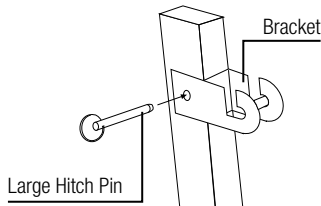
FIGURE 5

# How to Attach the Leg Pulley Accessory Kit

**NOTE:** Be sure you have plenty of free space around the exerciser so that performing on the Total Gym®, as well as getting on and off, is convenient and safe. Please note that the Rails cannot be raised to the highest position on the Height Adjustment Column when the Leg Pulley Bracket is attached to the column.

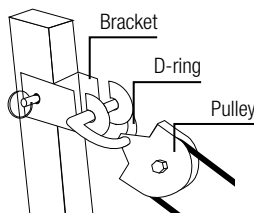


1. Connect the Leg Pulley Bracket to the top of the Vertical Column by aligning Bracket with the hole at the top of the column; be sure bracket is right side up.  
Insert Large Hitch Pin through the hole to secure Bracket onto the Vertical Column.

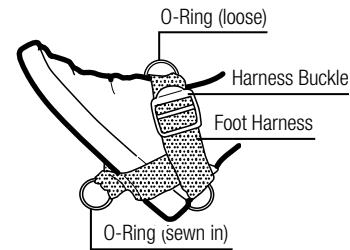


2. Detach the Cable Assembly from the hook on the underside of the glideboard and attach O-Ring from the Leg Pulley Assembly.
3. Place D-Ring on Pulley first. Then connect the D-Ring to the Bracket as shown.

**NOTE: If rope appears to be twisted, take D-Ring off and turn Pulley around.**

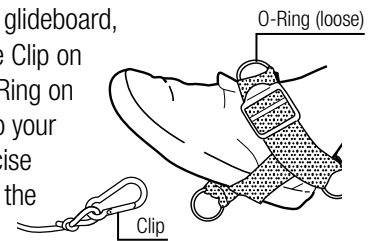


4. Attach the Foot Harness to one of your feet by placing your foot in the Harness so the sewn-in O-ring is on the bottom of your foot. Pull tight on the strap at the Harness Buckle so the Foot Harness is secure.



5. **A.** Position yourself on the glideboard correctly for the specific exercise you want to perform.

- B.** While sitting down on the glideboard, bring 1 knee up, connect the Clip on the end of the rope to an O-Ring on the Foot Harness attached to your foot. Depending on the exercise you are performing, connect the Clip to the proper O-Ring.



Be sure to always stabilize the glideboard when clipping on or off the Harness. Also, use caution when getting on or off the glideboard. You are now ready to exercise using the Leg Pulley Accessory. See your Exercise Guide for specific exercises that utilize the Leg Pulley Accessory.

**NOTE: Remove Leg Pulley Bracket when you are not exercising with it.**

- B.** To disconnect the Foot Harness, unclip the rope from the O-Ring on the Harness. Be sure to stabilize glideboard when disconnecting Foot Harness.

# Starting Out

## GENERAL SAFETY TIPS

- While performing exercises with quick tempo repetitions, the Total Gym® may move. Please be aware of the action and make necessary adjustments as you continue your exercise program.
- Wear athletic shoes and comfortable light clothing when exercising on the Total Gym®.
- Do not exercise barefoot.
- Check your exerciser before using to ensure that all the parts are in place and working properly (*see pages 11 and 12 for details on Inspection, Maintenance and Storage*).
- Adult supervision is required at all times.
- The Rails and Glideboard can be raised to any desired level on the Height Adjustment Column depending upon your degree of fitness. Please note, however, that the Rails cannot be raised to the highest position on the Height Adjustment Column when the Leg Pulley Bracket is attached to the column.
- Be sure you have plenty of free space around the exerciser so that performing on the Total Gym®, as well as getting on and off, is convenient and safe.
- Each time you raise or lower the Height Adjustment Column, be sure you hold it to keep it from dropping to the floor.
- Keep longer hair up for safety and to prevent interference with your exercise routine.

## AS EASY AS 1-2-3

Begin using the product at a low incline. As your fitness level progresses, increase the incline to increase the intensity and improve your muscle strength. Don't be in a hurry to exercise at a high intensity level; start out easily and build gradually. The Total Gym® is as easy as 1-2-3 to use, so read on...

### 1. IMPORTANT THINGS TO REMEMBER WHEN USING THE TOTAL GYM®

- Always have control of the glideboard before getting on and off the exerciser.
- Keep your feet on the floor when getting on and off the exerciser. Only remove them from the floor for the duration of the exercise.
- If you are using the handles, hold onto them as you get on and off the glideboard.
- Remove Cable from Glideboard when not using Cable Handles.

### 2. EXERCISING WITH THE HANDLES ONLY

Grasp the handles which are attached to the cable and slide the glideboard to a position in which you can comfortably sit or lay down when performing the desired exercise (see the Exercise Guide). Be sure to keep your feet on the floor until you are in the correct position for the specific exercise. Then, if the exercise calls for your feet to be off the floor, place your feet as specified in the instructions.

### 3. EXERCISING WITH THE MULTI FUNCTION ATTACHMENT

Slide the glideboard to a position in which you can comfortably sit or lay down on when performing the desired exercise (see the Exercise Guide). Keep your feet on the ground until you are in the correct position and feel comfortable. Then, place your feet in the proper position and begin to exercise.

When starting your exercise program, begin with the basic exercises in the Exercise Guide included with your Total Gym® to familiarize yourself with the movements. Use the lowest incline level to start with - you can work up to a higher incline level in the weeks and months to come.

For the specific Total Gym® exercises and programs, study and follow the instructions in the *Exercise Guide* included with your product.

# Inspection, Maintenance & Storage

## INSPECT YOUR TOTAL GYM® PRIOR TO EACH USE

Before using your Total Gym® for your workout session, be sure to make the following inspection:

- Make sure the equipment is fully opened and sitting on a solid, level surface with plenty of clearance on all sides. Unit should be used on a mat or on carpeted surfaces only.
- Make sure all the Hitch Pins are securely in place and locked into position.
- Check that the Pulley is attached securely to the loop on the top underside of the glideboard.
- Check that the Cables are traveling correctly in the groove of each pulley.
- Make sure the Cable is securely fastened to each Handle.
- Check that the Multi Function Attachment or other accessories are installed correctly when in use.
- Make sure the Glideboard is gliding smoothly along the frame.

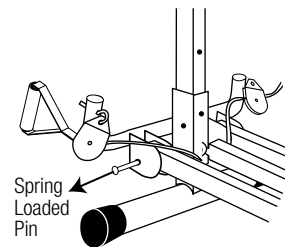
## ROUTINE MAINTENANCE

- Wipe down your Total Gym® on a regular basis using a clean cloth and alcohol or alcohol-based products like Windex® or 409®. Do not leave towels or workout clothing laying or hanging on the equipment.
- Periodically check the following parts for signs of fraying or other wear: the cable, pulleys, wheels, glideboard, accessories and frame. If the cable, pulleys, frame or wheels need replaced - do not use your unit, wait until the part is replaced. If any other part than the ones listed above needs to be replaced, do not use that part until it is replaced.
- Never use a lubricant such as WD-40® or ArmorAll® to lubricate or clean the unit. Use only 3-in-1® oil or machine oil to lubricate the axles of the wheel or pulley, not the roller surface.

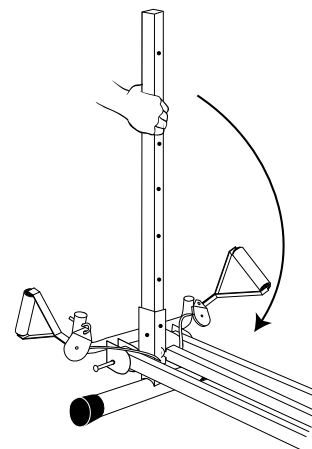
## TO STORE YOUR TOTAL GYM®

Follow these easy steps to store your exerciser properly:

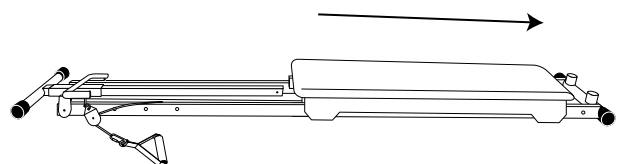
1. First, remove all accessories and attachments.
2. Remove Safety Hitch C Pin from Vertical Column.
3. Be sure the Cable Pulley is attached to the underside of the glideboard for folding.
4. Position one hand on either side of rail to hold it up before removing Height Adjustment C Pin. Pull pin out and slowly lower the rails to the ground until they rest on the back crossbar.
5. **A.** Release Spring Loaded Pin (**NOTE:** pin shown in illustration is on right side).



- B.** Fold Vertical Column down towards the center of the unit.

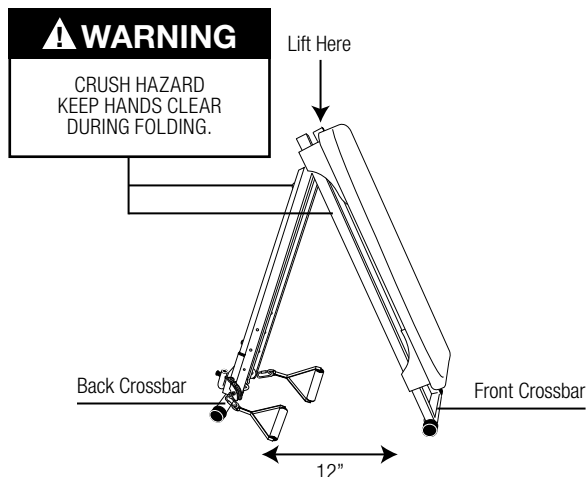


6. Slide the Glideboard towards the bottom of unit as shown.



7. With caution, to avoid pinched fingers or hands, grab the top of the Glideboard and slowly pull the unit up allowing the rollers to bring the back of the unit towards the center. Keep approximately 12" apart.

**WARNING LABEL 3**



8. Continue to fold the exerciser together until it is completely folded and roll the exerciser into a closet for storage. To store under a bed, simply lower the exerciser to the floor and roll under the bed.

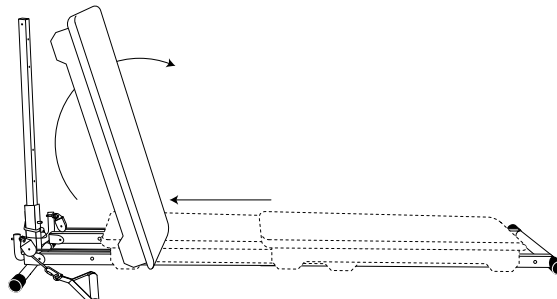
**NOTE:** Do not store unit in upright position when folded.

**TO REMOVE THE GLIDEBOARD**

You can also remove the Glideboard if you need to fit the exerciser under a narrow space (between 6" and 8").

**IMPORTANT:** The Glideboard weighs approximately 20 lbs. Use caution when lifting it off of the exerciser. Lifting incorrectly may result in user injury.

1. Remove Safety Hitch C Pin from bottom of the Vertical Column.
2. Remove the Height Adjustment C Pin from the Vertical Column. With one hand on either the right or left rail and the other hand holding the Height Adjustment C Pin, slide the rails down along the Height Adjustment Column.
3. With exerciser laying flat on the floor, disconnect the pulley from the hook on the underside of the glideboard.
4. Next, tilt up the glideboard and slide it off the frame of the exerciser. When the glideboard is completely off the exerciser, set it aside.



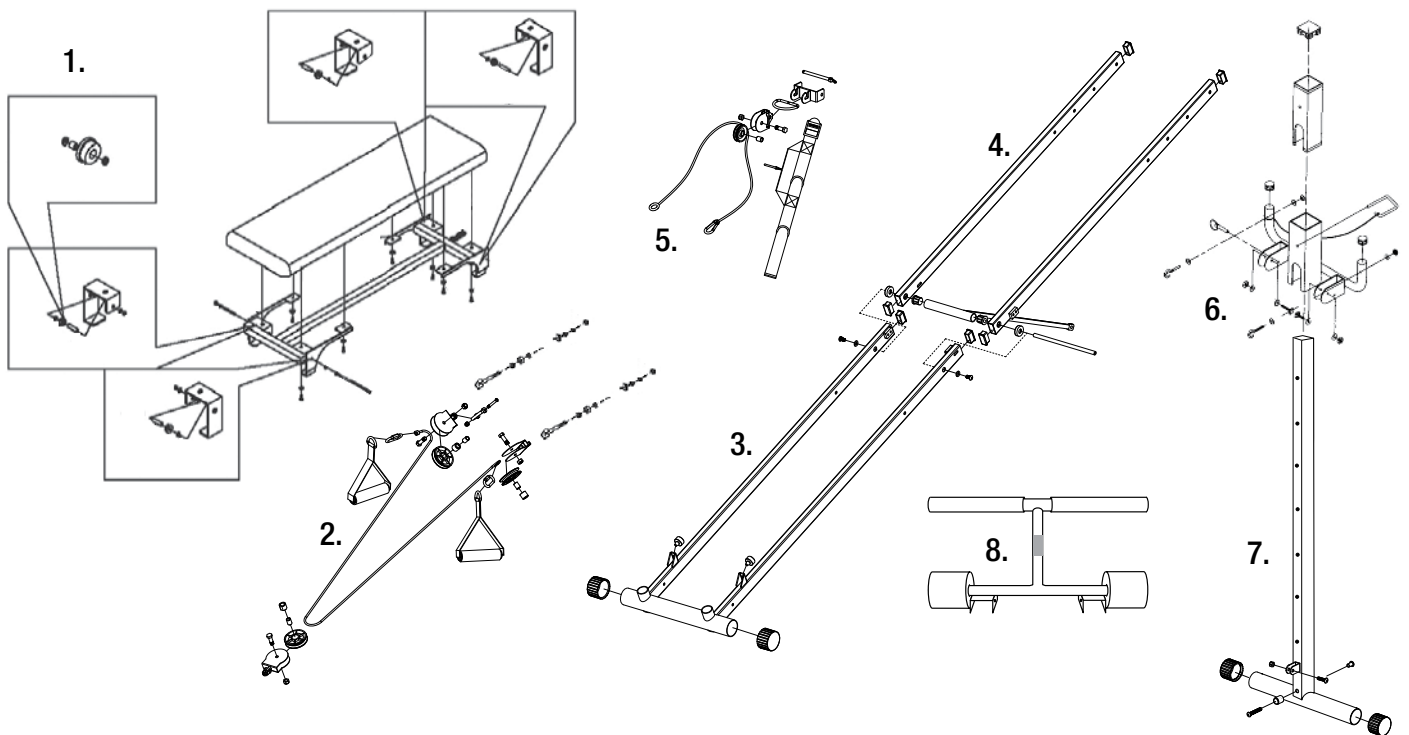
5. Next, pull the Spring Loaded Pin to release the Rail and fold the exerciser together as shown in 5A, 5B and 7. Be sure you release the Spring Loaded Pin before folding.

**TO ATTACH THE GLIDEBOARD TO GYM WHEN SETUP AND READY FOR USE**

1. Raise rails to the highest level on the vertical column and insert Height Adjustment C Pin (attached to lanyard) and Safety Hitch C Pin.
2. Carefully pickup the glideboard with both hands, one on each side, making sure the hook on the underside of the glideboard is at the top closest to the vertical column.
3. Line up the glideboard with the lower rails on your gym and gently lower the glideboard down the rails until it rests against the rubber stops.
4. Connect pulley to top underside of the glideboard by taking the pulley and sliding it onto the hook that is on the underside of the glideboard.

# Total Gym® Achiever Parts List

ITEM #	PART#	DESCRIPTION	QTY	ITEM #	PART#	DESCRIPTION	QTY	
<b>1</b>	<b>R300013</b>	<b>Glideboard Assembly</b>	<b>1</b>	<b>5</b>	<b>R700036</b>	<b>Leg Pulley System</b>	<b>1</b>	
		Roller Spacer	8			R100232	U Bracket	1
		8 x 55 Hex Bolt	4			R100075	Hitch Pin	1
		Wheels	4			R700035	Foot Strap	1
		8 mm Flat Washer	4			R700034	Pulley and Rope	1
		8 mm Nylon Nut	4			R100230	D-Ring	1
		R300028L	Fender Left			2	RACHLIT	Literature Pack
R300028R	Fender Right	2	<b>6</b>	<b>RACHIEVER</b>	<b>Slide Pivot Assembly</b>	<b>1</b>		
R100057	Rectangle End Cap	2			R100143	Upright Cap	1	
R100057	Rectangle End Cap	2			R133019	Black Spring Loaded Pin	1	
<b>2</b>	<b>R600028</b>	<b>Cable Kit</b>	<b>1</b>	<b>7</b>	<b>RACHIEVER</b>	<b>Vertical Column</b>	<b>1</b>	
		R100235	Safety Hitch Pin / Lanyard			1	R100237	Rubber Stopper Assembly
<b>3</b>	<b>RACHIEVER</b>	<b>Lower Rail Assembly</b>	<b>1</b>	R118014	Safety Hitch C Pin	1		
		R100142	Tube Cap	2	R100144	Tube Roller	2	
		R100057	Rectangle End Cap	2	<b>8</b>	<b>R400022</b>	<b>Multi Function Attachment</b>	<b>1</b>
<b>4</b>	<b>RACHIEVER</b>	<b>Upper Rail Assembly</b>	<b>1</b>	R100057			Rectangle End Cap	4







## DEDICATION TO QUALITY

We warrant this product to be free from all defects in material and workmanship when used according to the manufacturer's instructions.

See Limited Warranty Card for details.

### ***Save your sales receipt.***

You may wish to staple into this manual.

*To order optional accessories,  
please go to [TotalGymCatalog.com](http://TotalGymCatalog.com)*